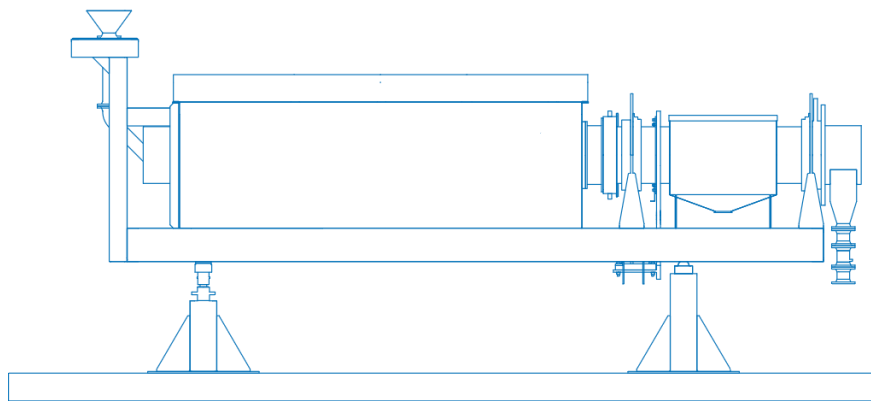


Rotary Drum Powder Reduction Plant

Various powdered products are treated in the rotary drum furnace. The “moving rack” conveys the powder through the furnace, mixing it at the same time. Depending on atmospheres and max. temperature, diverse concepts are employed. To name some of the keywords:

- Externally or internally heated rotary drum furnace
- Gas or electrically heated
- Air or reducing atmosphere
- Metal, ceramic, or graphite rotary drum



Specifications

Technical Features	
Effective width:	15-1500 mm
Throughput:	10 - 1000 kg/h
Heating:	Electric or gas
Atmosphere:	Air oder forming gas
Temperatures:	900 °C, 1150 °C, 1500 °C, 2000 °C

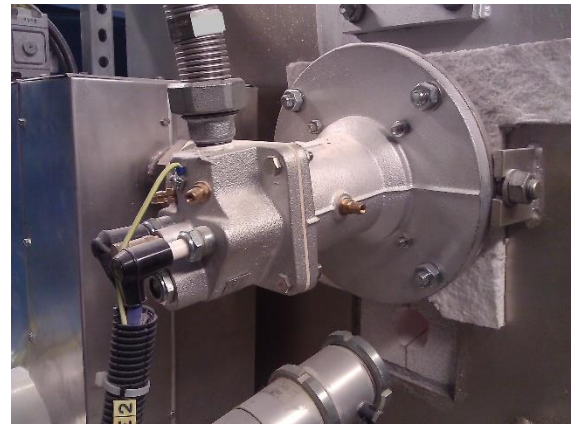
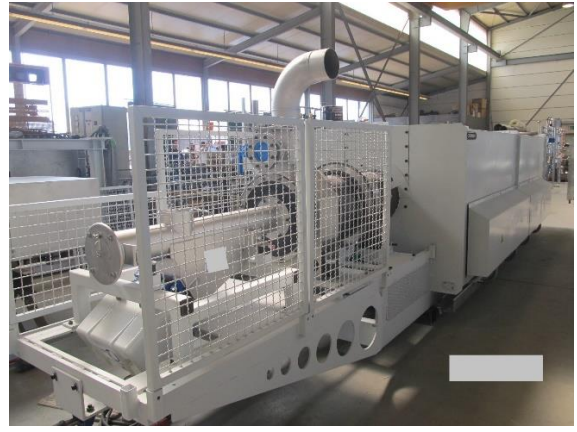
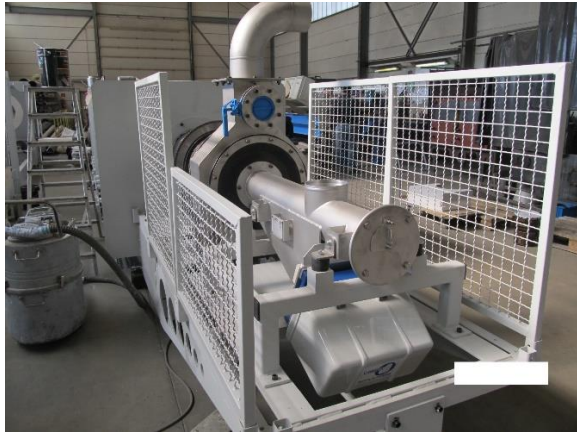
Applications

Rotary drum furnaces are ideal for move transported powders. Reduction, calcination, sintering, carburization, drying, etc. are typical applications. The product material determines the furnace design.

Additional Equipment Modules

+ Automation (Total Process Control (TPC) System)	
---	--

Foto Gallery



Contact:

CREMER Thermoprozessanlagen GmbH

Auf dem Flabig
D-52355 Düren
Germany

Tel.: +49 - 2421 - 968 30 0
Fax.: +49 - 2421 - 6 37 35

info@cremer-ofenbau.de
www.cremer-ofenbau.de